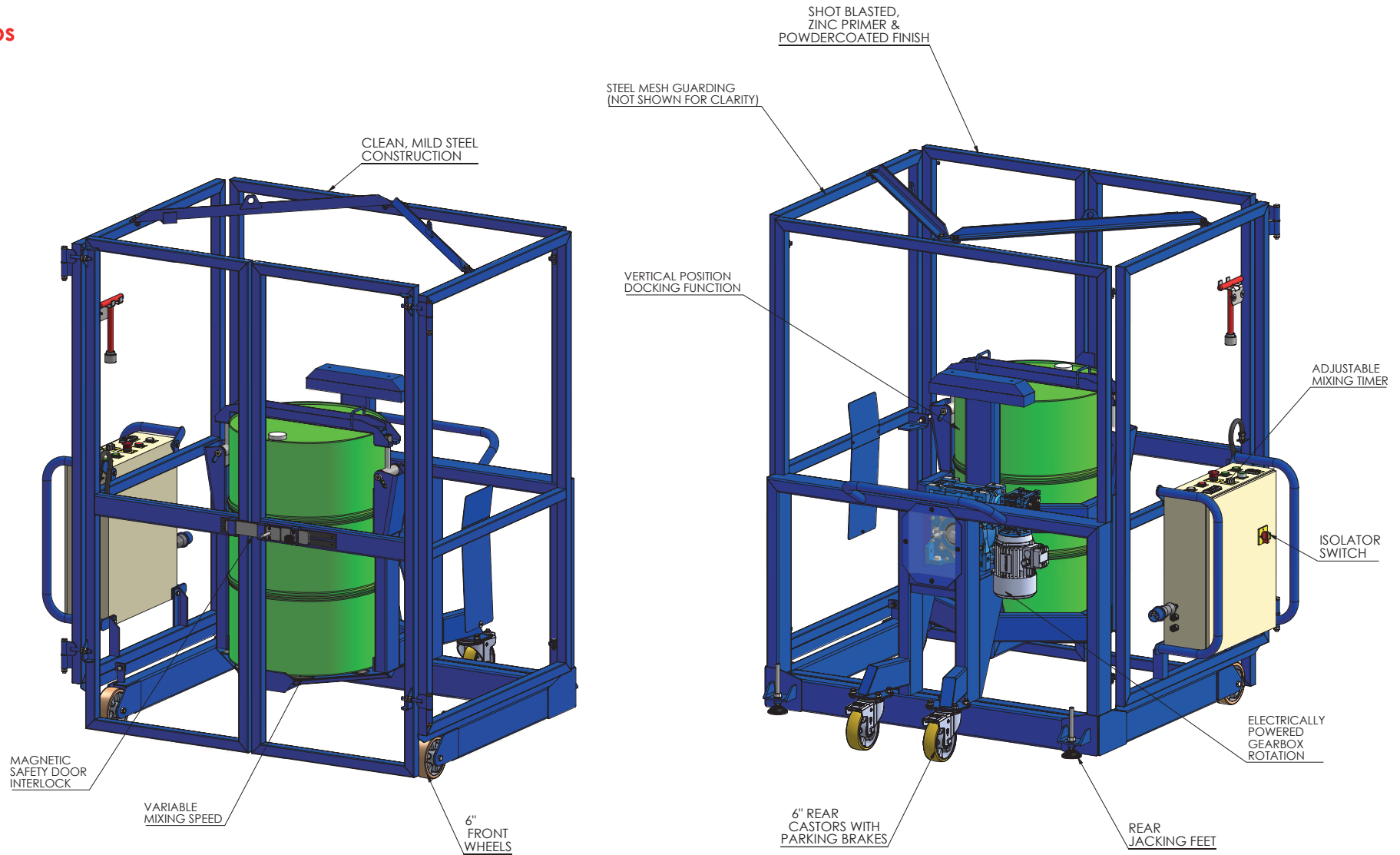



DME01-230V

SWL - 660lbs




ALL DIMENSIONS IN mm U.O.S
DO NOT SCALE


RESPICE HANDLING EQUIPMENT LTD
 LEEDSTOWN, CORNWALL, T22 6DS
 TEL: +44 1736 85 10 50 FAX: +44 1736 85 10 23
 E-MAIL: SALES@STS-TROLLEYS.CO.UK
 WWW: HTTPS://WWW.STS-TROLLEYS.CO.UK

UNLESS OTHERWISE SPECIFIED THE FOLLOWING APPLY:
 FABRICATED COMPONENTS DIMENSIONAL PRECISION
 DECIMAL METRIC IMPERIAL ANGLE
 0.1 ±1.20mm ±0.05° ±0.50°
 0.0 ±0.80mm ±0.03° ±0.25° SIZE ≤ 1000MM
 0.0 ±2.5mm ±0.10° ±0.50° SIZE ≤ 1000MM
 0.0 ±1.50mm ±0.04° ±0.25° SIZE > 1000MM
 STANDARD SURFACE FINISH RA 6.3MM (RA 250MIR)
 BREAK ALL SHARP CORNERS AND EDGES: R 0.20mm MAX

THIS DOCUMENT AND ALL THE INFORMATION CONTAINED HEREIN ARE CONFIDENTIAL AND EXCLUSIVE PROPERTY OF RESPICE HANDLING EQUIPMENT AND MAY NOT BE REPRODUCED, USED, DISCLOSED OR MADE PUBLIC IN ANY MANNER PRIOR TO EXPRESS WRITTEN AUTHORIZATION BY RESPICE HANDLING EQUIPMENT.
 THIS DOCUMENT IS ACCEPTED PURSUANT TO AGREEMENT TO THE FOREGOING, AND MADE BY RETURNED OR OTHERWISE SPECIFIED.

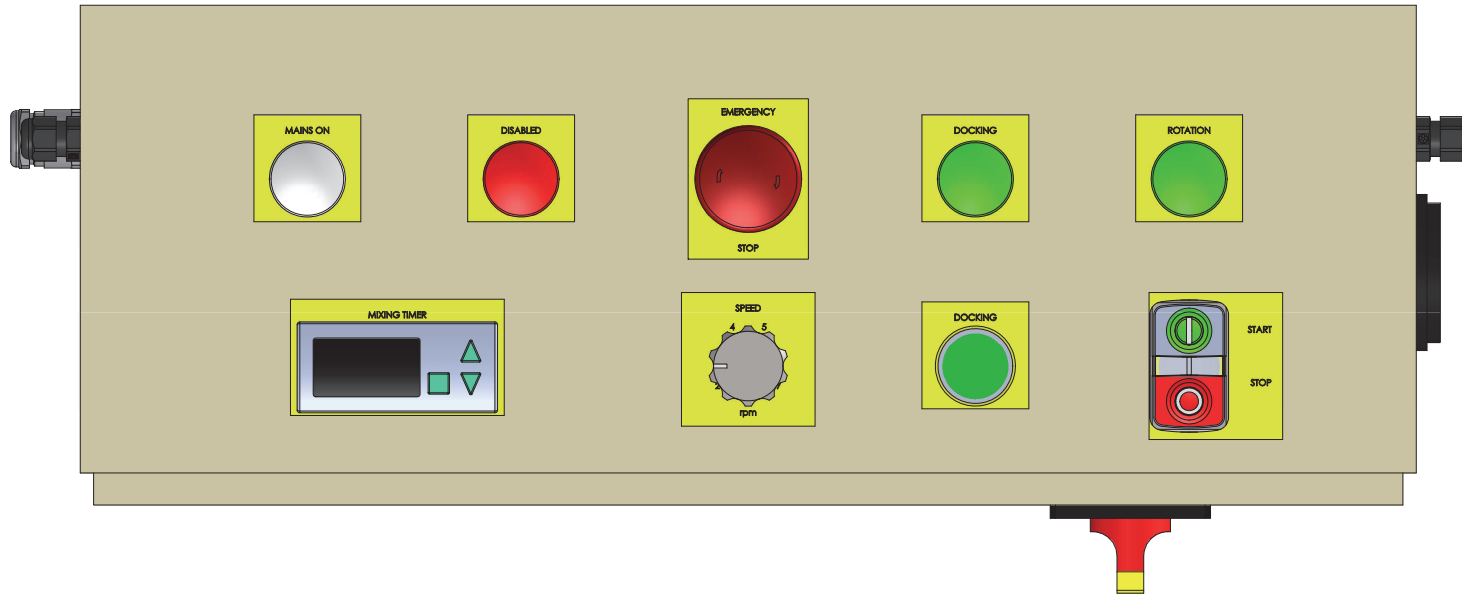
MANUFACTURER AGREES THAT ARTICLES MADE IN ACCORDANCE WITH THIS DOCUMENT SHALL BE CONSIDERED ITS RESPICE HANDLING EQUIPMENT DESIGN AND THAT ORIGINAL ARTICLES OR PARTS THEREOF SHALL NOT BE MANUFACTURED FOR THE USE OR SALE BY THE MANUFACTURER OR ANY OTHER PERSON OR ENTITY WITHOUT PRIOR WRITTEN AUTHORIZATION BY RESPICE HANDLING EQUIPMENT.

CATEGORY:	ASSEMBLY
MATERIAL SPEC:	
FINISH:	N/A
DESCRIPTION:	ELECTRIC DRUM MIXER, DME01-230V

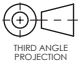

SHEET NO:	1 OF 4	DRAWN BY:	JS
		CHECKED BY:	JS
SHEET SIZE:	A3	DATE CHK:	06/09/2019
PART NUMBER:	002462	REVISION:	C

DME01-230V

SWL - 660lbs

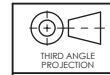
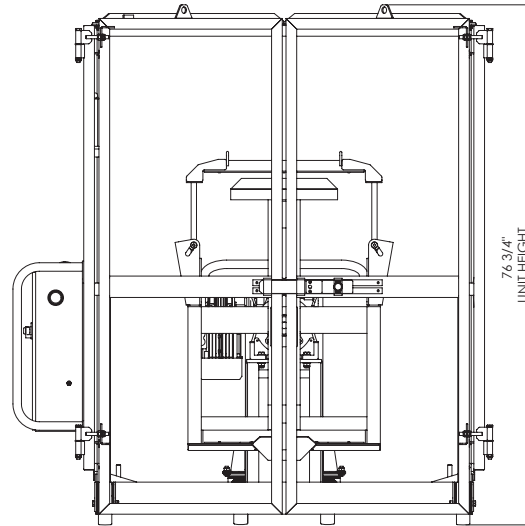
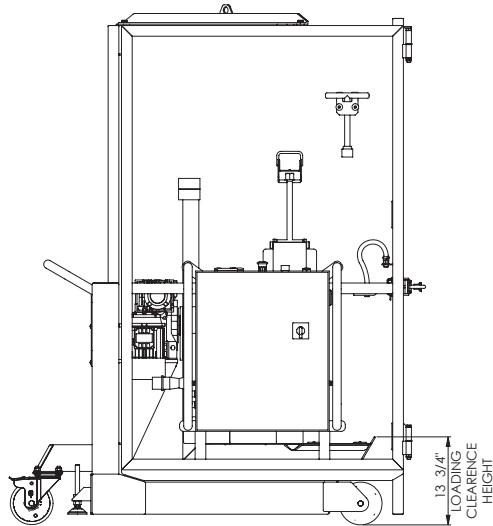
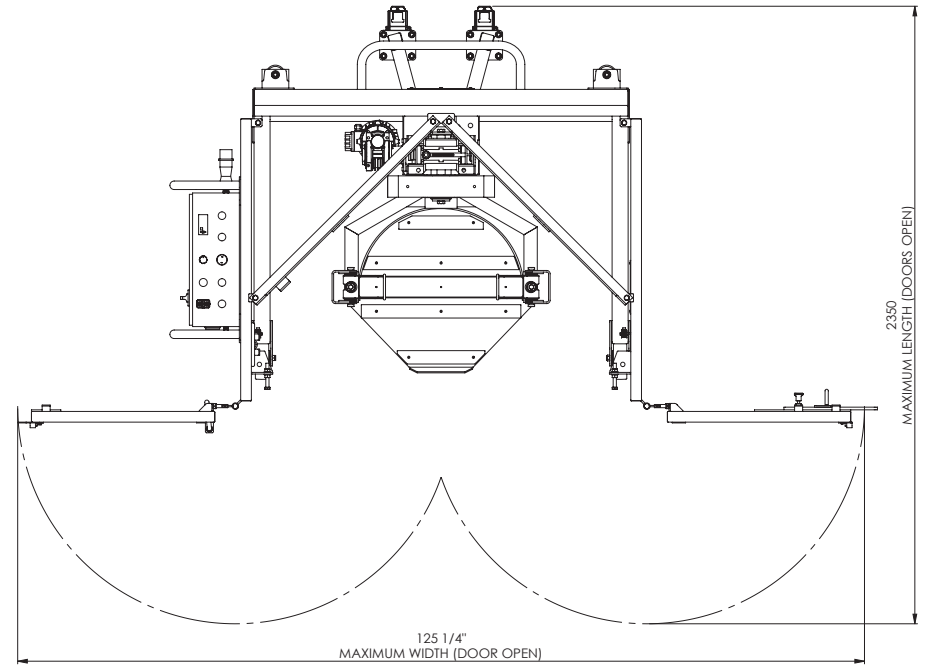
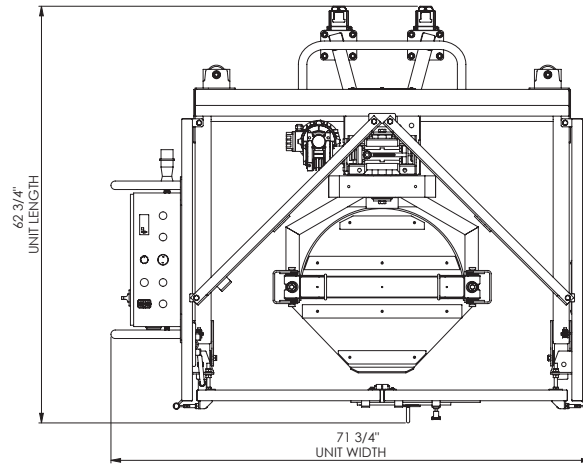


CONTROL PANEL LAYOUT

 THIRD ANGLE PROJECTION	ALL DIMENSIONS IN mm U.O.S DO NOT SCALE	UNLESS OTHERWISE SPECIFIED THE FOLLOWING APPLY: FABRICATED COMPONENTS DIMENSIONAL PRECISION DECIMAL METRIC IMPERIAL ANGLE 0.1 ±0.20mm ±0.05° ±0.50° 0.0 ±0.80mm ±0.03° ±0.25° SIZE ≤ 1000MM 0.0 ±2.5mm ±0.10° ±0.50° SIZE > 1000MM 0.0 ±1.50mm ±0.04° ±0.25° SIZE > 1000MM STANDARD SURFACE FINISH RA 6.3MM (RA 250MIL) BREAK ALL SHARP CORNERS AND EDGES: R 0.20mm MAX	CATEGORY: ASSEMBLY MATERIAL SPEC: FINISH: N/A DESCRIPTION: ELECTRIC DRUM MIXER, DME01-230V	SHEET NO: 2 OF 4 SHEET SIZE: A3 PART NUMBER: 002462	DRAWN BY: JS CHECKED BY: JS DATE CHK: 06/09/2019 REVISION: C
	 RESPICE HANDLING EQUIPMENT LTD LEEDSTOWN, CORNWALL, TQ2 6DS TEL: +44 1736 85 10 50 FAX: +44 1736 85 10 23 E-MAIL: SALES@STS-TROLLEYS.CO.UK WWW: HTTPS://WWW.STS-TROLLEYS.CO.UK	THIS DOCUMENT AND ALL THE INFORMATION CONTAINED HEREIN ARE CONFIDENTIAL AND EXCLUSIVE PROPERTY OF STS RESPICE HANDLING EQUIPMENT AND SHALL NOT BE REPRODUCED, USED, DISCLOSED OR MADE PUBLIC IN ANY MANNER PRIOR TO EXPRESS WRITTEN AUTHORIZATION BY STS RESPICE HANDLING EQUIPMENT. THIS DOCUMENT IS ACCEPTED PURSUANT TO AGREEMENT TO THE FOREGOING AND MADE BY RETURNED OR OTHERWISE.	MANUFACTURER AGREES THAT ARTICLES MADE IN ACCORDANCE WITH THIS DOCUMENT SHALL BE CONSIDERED STS RESPICE HANDLING EQUIPMENT DESIGN AND THAT ORIGINAL ARTICLES OR PARTS THEREOF SHALL NOT BE MANUFACTURED FOR THE USE OR SALE BY THE MANUFACTURER OR ANY OTHER PERSON OR ENTITY WITHOUT PRIOR EXPRESS WRITTEN AUTHORIZATION BY STS RESPICE HANDLING EQUIPMENT.	REVISION: 01 AUTHOR: JC AUTHORISER: NV 8 PRINTED ON: 07/10/2019	

DME01-230V

SWL - 660lbs



ALL DIMENSIONS IN mm U.O.S
DO NOT SCALE



RESPICE HANDLING EQUIPMENT LTD
LEEDSTOWN, CORNWALL, TQ27 6DS
TEL: +44 1736 85 10 50 FAX: +44 1736 85 10 23
E-MAIL: SALES@STS-TROLLEYS.CO.UK
WWW: HTTPS://WWW.STS-TROLLEYS.CO.UK

UNLESS OTHERWISE SPECIFIED THE FOLLOWING APPLY:
FABRICATED COMPONENTS (DIMENSIONAL PRECISION)
DECIMAL METRIC IMPERIAL ANGLE
0.1 20mm ±0.05° ±0.50°
0.0 ±0.80mm ±0.03° ±0.25° SIZE ≤ 1000MM
0. ±0.2mm ±0.10° ±0.50° SIZE > 1000MM
0.0 ±1.50mm ±0.04° ±0.25° SIZE > 1000MM
STANDARD SURFACE FINISH RA 6.3MM (RA 250MIC)
BREAK ALL SHARP CORNERS AND EDGES: R 0.20MM MAX

THIS DOCUMENT AND ALL THE INFORMATION CONTAINED HEREIN ARE CONFIDENTIAL AND EXCLUSIVE PROPERTY OF STS RESPICE HANDLING EQUIPMENT AND SHALL NOT BE REPRODUCED, USED, DISCLOSED OR MADE PUBLIC IN ANY MANNER WITHOUT THE WRITTEN AUTHORIZATION BY STS RESPICE HANDLING EQUIPMENT.
MANUFACTURER AGREES THAT ARTICLES MADE IN ACCORDANCE WITH THIS DOCUMENT SHALL BE CONSIDERED STS RESPICE HANDLING EQUIPMENT DESIGN AND THAT ORIGINAL ARTICLES OR PARTS THEREOF SHALL NOT BE MANUFACTURED FOR THE USE OR SALE BY THE MANUFACTURER OR ANY OTHER PERSON OR ENTITY WITHOUT PRIOR WRITTEN AUTHORIZATION BY STS RESPICE HANDLING EQUIPMENT.

CATEGORY:	ASSEMBLY	SHEET NO:	3 OF 4	DRAWN BY:	JS
MATERIAL SPEC:		CHECKED BY:	JS		
FINISH:	N/A	SHEET SIZE:	A3	DATE CHK:	06/09/2019
DESCRIPTION:	ELECTRIC DRUM MIXER, DME01-230V	PART NUMBER:	002462	REVISION:	C