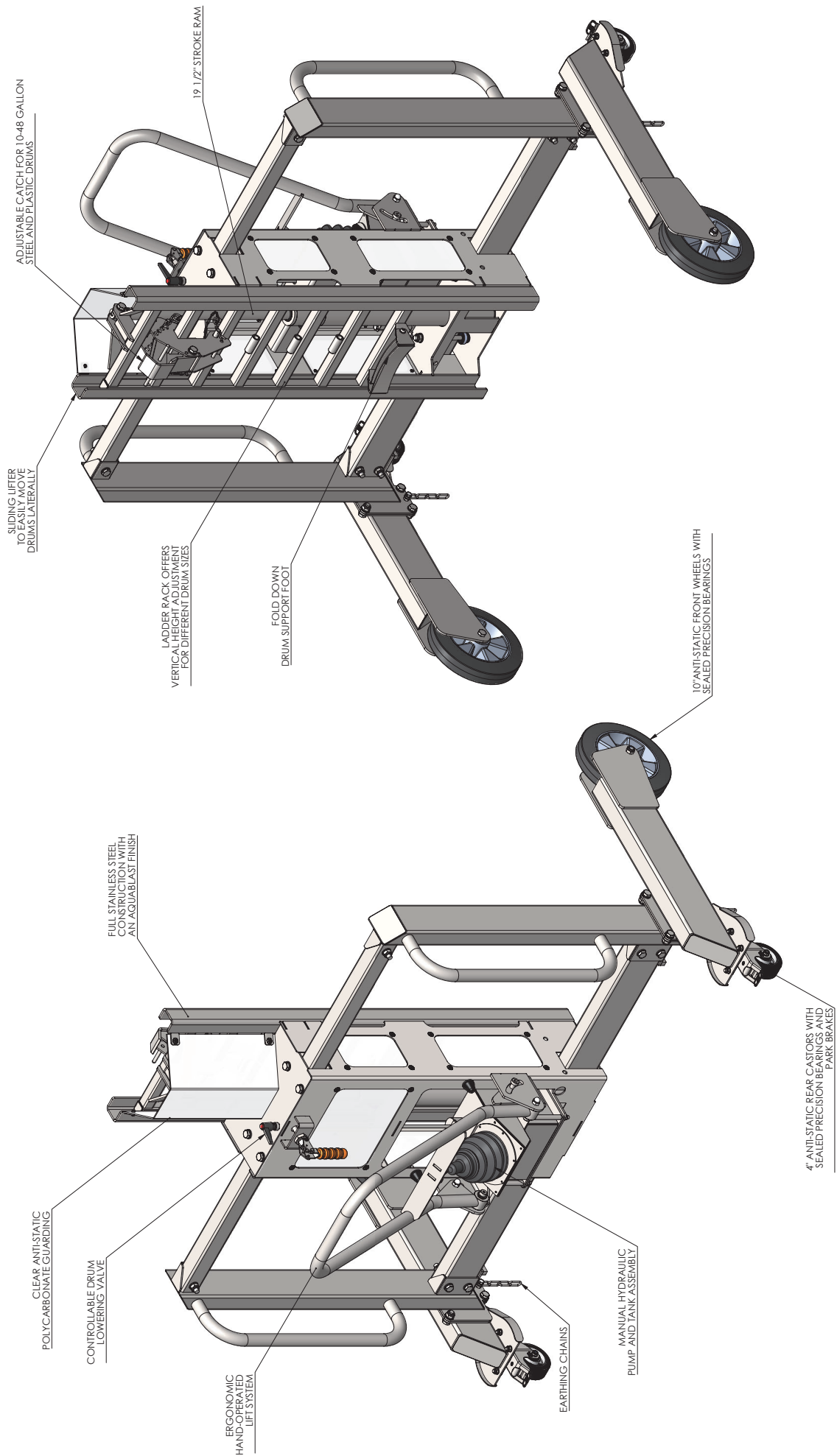


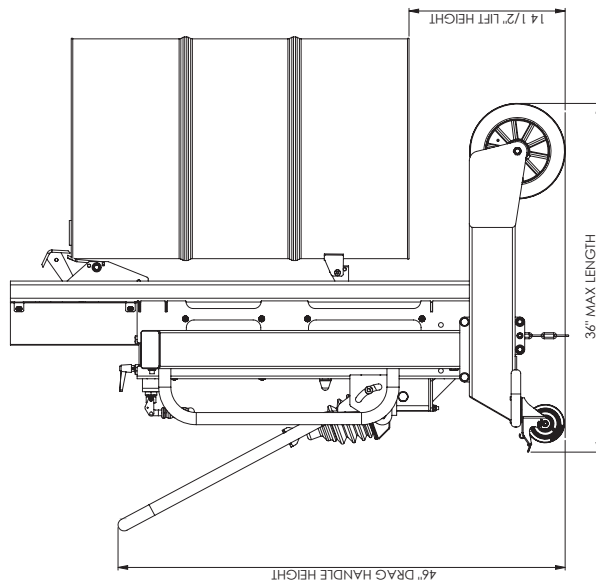
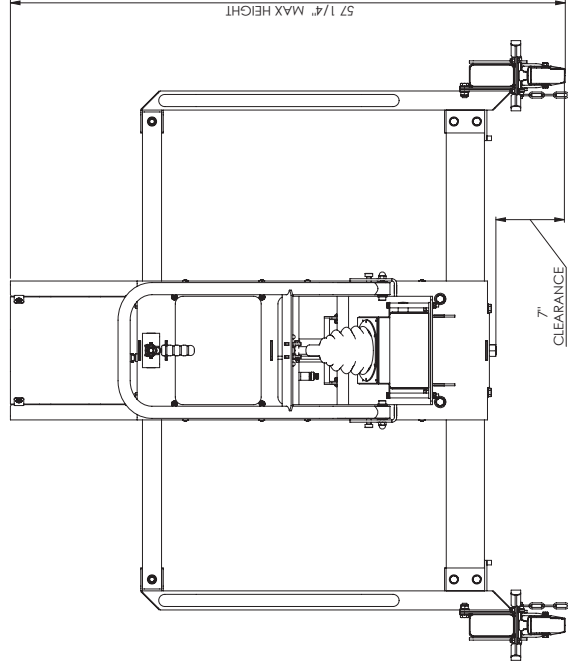
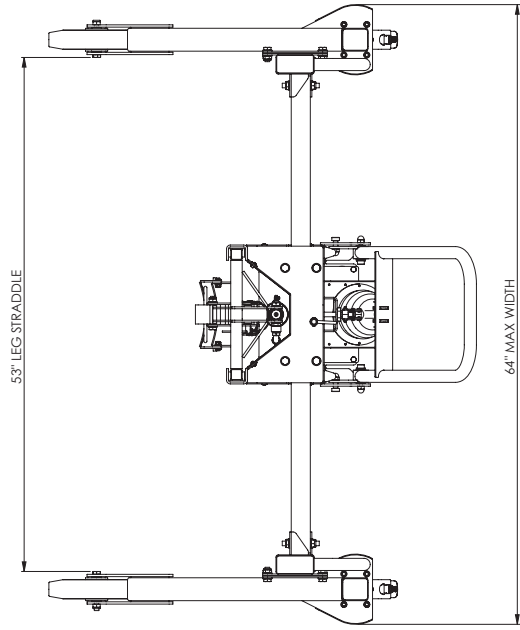
**DTP04-R500-1250-SS-Ex**  
**SWL - 770lbs**



<p>THIRD ANGLE PROJECTION</p>	<p>ALL DIMENSIONS IN mm U.S. DO NOT SCALE</p>	<p>CUSTOMER APPROVAL:  NAME: .....  SIGNATURE: .....  DATE: .....</p>	<p>CATEGORY: ASSEMBLY</p>	<p>SHEET NO: 1 OF 4</p>	<p>DRAWN BY: JC</p>
	<p><b>SIS</b>  SHELDON INDUSTRIAL SYSTEMS  LEEDS TOWN, CORNWALL PL27 4DS  TEL: 01208 851111  E-MAIL: SALES@SIS-TOOLTECH.CO.UK  WWW: HTTPS://WWW.SIS-TOOLTECH.CO.UK</p>	<p>FINISH: N/A</p>	<p>MATERIAL SPEC:</p>	<p>EST MASS:</p>	<p>CHECKED BY: JC</p>
<p>DESCRIPTION: DEPALLETISER ASSEMBLY, DTP04-R500-1250-SS-EX, STAINLESS STEEL</p>		<p>PART NUMBER: 014369</p>	<p>DATE CHG: 19/06/2020</p>	<p>REVISION: B</p>	<p>REVISION: 19/06/2020</p>

Drum Range: 10-48 Gallon  
Minimum Lift Clearance: 14 1/2"

**DTP04-R500-1250-SS-EX**  
**SWL - 770lbs**



**ALL DIMENSIONS IN mm U.S. DO NOT SCALE**

THIRD ANGLE PROJECTION

**Customer Approval:**  
 NAME: .....  
 SIGNATURE: .....  
 DATE: .....

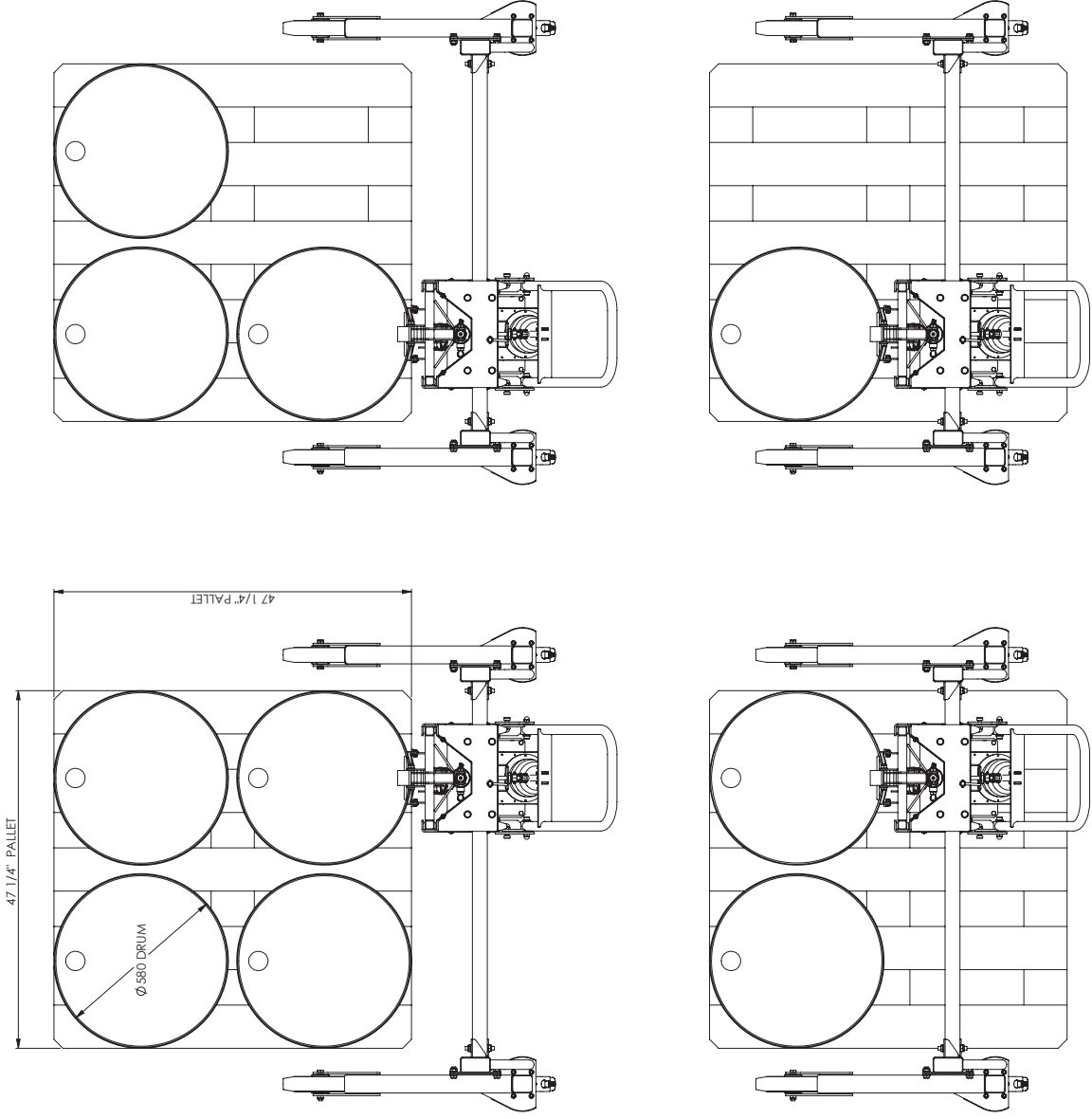
THIS DOCUMENT IS THE PROPERTY OF JCB. THE INFORMATION CONTAINED HEREIN IS UNCLASSIFIED UNLESS INDICATED OTHERWISE. IT IS TO BE USED FOR INFORMATION PURPOSES ONLY. IT IS NOT TO BE REPRODUCED, COPIED, TRANSMITTED, OR USED IN ANY MANNER WITHOUT THE WRITTEN PERMISSION OF JCB. THE INFORMATION CONTAINED HEREIN IS UNCLASSIFIED UNLESS INDICATED OTHERWISE. IT IS TO BE USED FOR INFORMATION PURPOSES ONLY. IT IS NOT TO BE REPRODUCED, COPIED, TRANSMITTED, OR USED IN ANY MANNER WITHOUT THE WRITTEN PERMISSION OF JCB.



CATEGORY: ASSEMBLY	SHEET NO: 2 OF 4	DRAWN BY: JC
MATERIAL SPEC:	EST MASS:	CHECKED BY: JC
FINISH: N/A	SHEET SIZE: A3	DATE CHG: 19/06/2020
DESCRIPTION: DEPALLETISER ASSEMBLY, DTP04-R500-1250-SS-EX, STAINLESS STEEL	PART NUMBER: 014369	REVISION: B

**DTP04-R500-1250-SS-Ex**

**SWL - 770lbs**

DE-PALLETISING 4 X 45 Gallon DRUMS FROM A 47 1/4" SQUARE PALLET USING THE STS DTP04 SIDE SHIFT DE-PALLETISER



 THIRD ANGLE PROJECTION	ALL DIMENSIONS IN mm U.S. DO NOT SCALE	CUSTOMER APPROVAL: NAME: ..... SIGNATURE: ..... DATE: .....	CATEGORY: ASSEMBLY MATERIAL SPEC: FINISH: N/A	SHEET NO: 3 OF 4 TEST MASS: SHEET SIZE: A3 PART NUMBER: 014369	DRAWN BY: JC CHECKED BY: JC DATE CHG: 19/06/2020 REVISION: B
	 STS STEEL TANKS LTD LEEDS TOWN, CORNWALL PL27 4DS TEL: 01752 770000 FAX: 01752 770001 E-MAIL: SALES@STS-TOLEYS.CO.UK WWW: HTTPS://WWW.STS-TOLEYS.CO.UK	DESCRIPTION: DEPALLETISER ASSEMBLY, DTP04-R500-1250-SS-EX, STAINLESS STEEL	SHEET NO: 3 OF 4 TEST MASS: SHEET SIZE: A3 PART NUMBER: 014369	CATEGORY: ASSEMBLY MATERIAL SPEC: FINISH: N/A	SHEET NO: 3 OF 4 TEST MASS: SHEET SIZE: A3 PART NUMBER: 014369