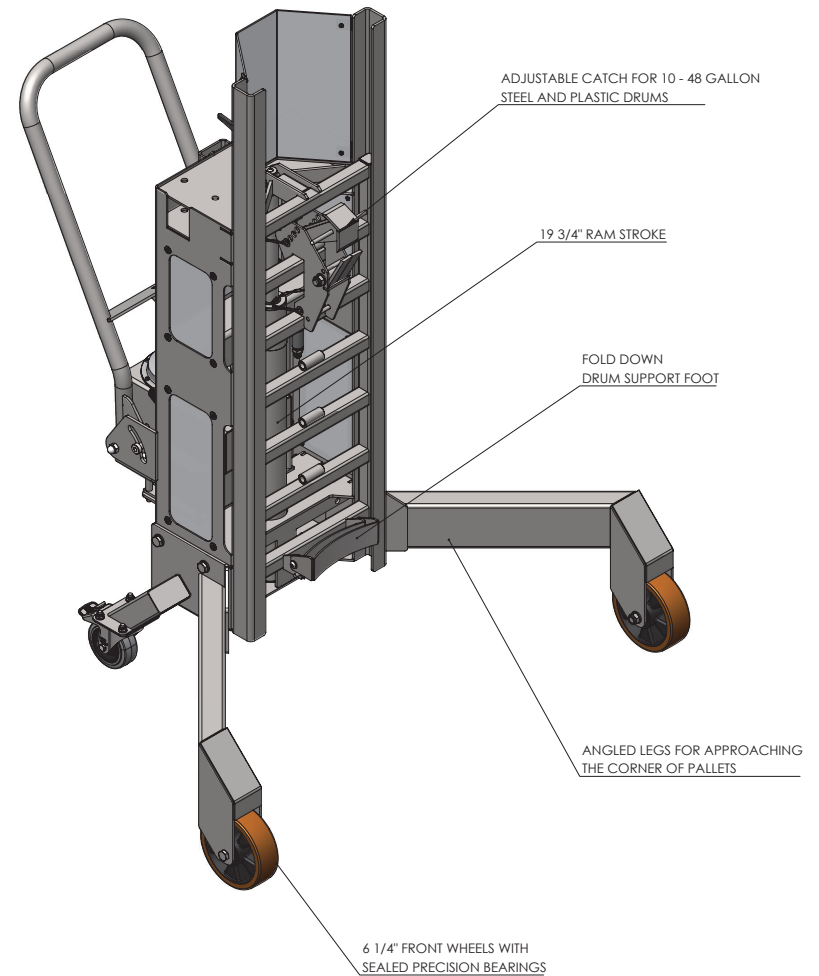
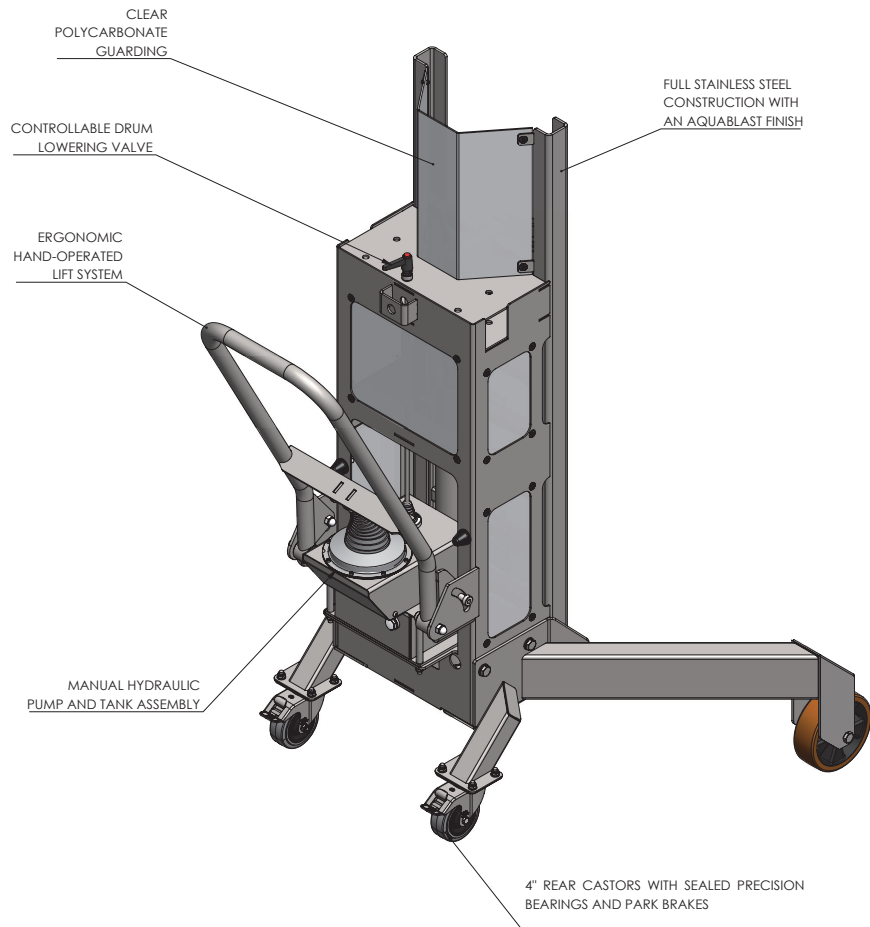




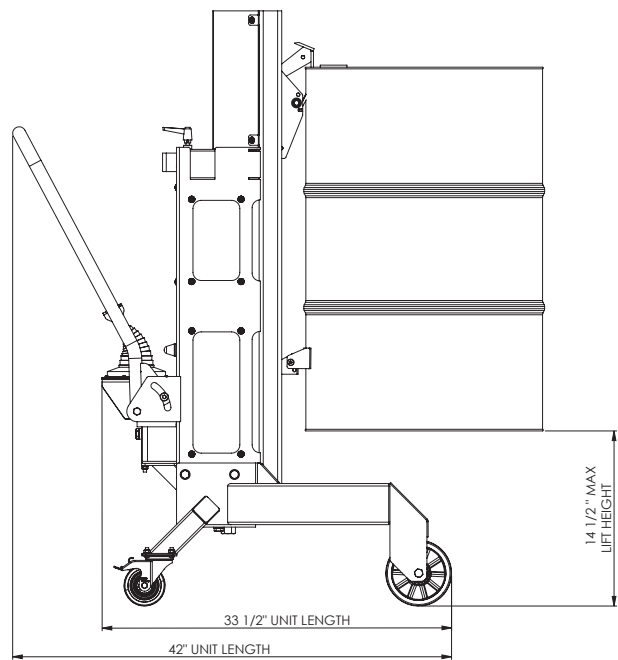
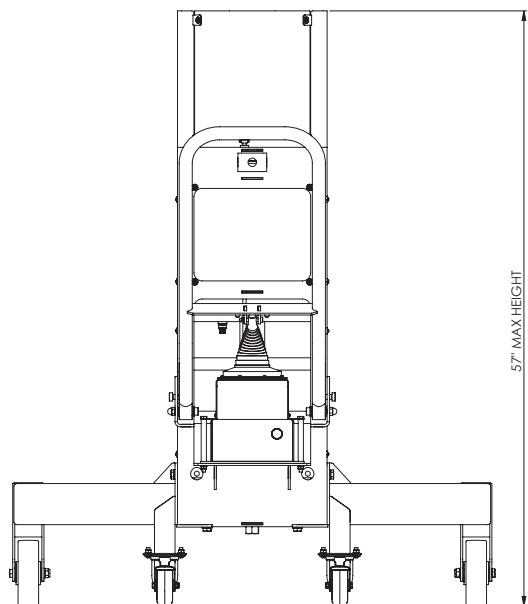
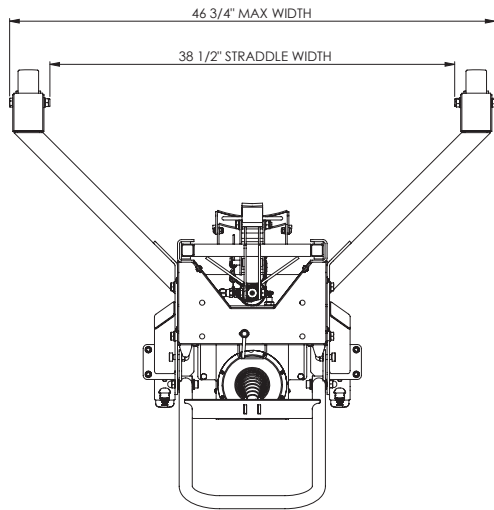
# DTP05-R500-SS


**SWL - 770lbs**




Drum Range: 10 - 48 Gallon  
Minimum Lift Clearance: 14 1/2"

 THIRD ANGLE PROJECTION	ALL DIMENSIONS IN mm U.O.S	CUSTOMER APPROVAL:	CATEGORY: ASSEMBLY	SHEET NO: 1 OF 3	DRAWN BY: JC
	DO NOT SCALE	NAME: .....	MATERIAL SPEC:		CHECKED BY: JC
 RESPONCE HANDLING EQUIPMENT LTD LEEDSTOWN, CORNWALL, TR27 4DS TEL: +44 1738 85 10 50 FAX: +44 1738 85 10 23 E-MAIL: SALES@STS-TROLLEYS.CO.UK WWW: HTTPS://WWW.STS-TROLLEYS.CO.UK	DATE: .....	THIS DOCUMENT AND ALL THE INFORMATION CONTAINED HEREIN ARE CONFIDENTIAL AND EXCLUSIVE PROPERTY OF STS RESPONCE HANDLING EQUIPMENT LTD AND MAY NOT BE REPRODUCED, USED, DISCLOSED OR ANYWAY PUBLIC IN ANY MANNER WITHOUT THE WRITTEN AUTHORIZATION OF STS RESPONCE HANDLING EQUIPMENT LTD.	FINISH: N/A	SHEET SIZE: A3	DATE CHK: 23/01/2019
		MANUFACTURER AGREES THAT ARTICLES MADE IN ACCORDANCE WITH THIS DOCUMENT SHALL BE CONSIDERED STS RESPONCE HANDLING EQUIPMENT DESIGN AND THAT GENERAL SPECIFICS OR PARTS THEREOF SHALL NOT BE MANUFACTURED FOR THE USE OR SALE BY THE MANUFACTURER OF ANY OTHER PERSON OR ENTITY WITHOUT PRIOR WRITTEN AUTHORIZATION BY STS RESPONCE HANDLING EQUIPMENT LTD.	DESCRIPTION: DTP05-R500-SS, DEPALLETISER ASSEMBLY, 19 3/4" RAM, STAINLESS STEEL	PART NUMBER: 013804	REVISION: A




**ALL DIMENSIONS  
IN mm U.O.S**  
**DO NOT SCALE**

  
**RESPONSE HANDLING EQUIPMENT LTD**  
 LEEDSTOWN, CORNWALL, TR27 4DS  
 TEL: +44 1738 85 10 50 FAX: +44 1738 85 10 23  
 E-MAIL: SALES@STS-TROLLEYS.CO.UK  
 WWW: [HTTPS://WWW.STS-TROLLEYS.CO.UK](https://www.sts-trolleys.co.uk)

UNLESS OTHERWISE SPECIFIED THE FOLLOWING APPLY:  
 FABRICATED COMPONENTS DIMENSIONAL PRECISION  

DECIMAL	METRIC	IMPERIAL	ANGLE	SIZE
0.1	±1.20mm	±0.05"	±0.50°	SIZE ≤ 1000MM
0.0	±0.80mm	±0.03"	±0.25°	SIZE ≤ 1000MM
0.0	±2.50mm	±0.10"	±0.50°	SIZE > 1000MM
0.0	±1.50mm	±0.06"	±0.25°	SIZE > 1000MM

 STANDARD SURFACE FINISH RA 6.3MM (RA 250MIN)  
 BREAK ALL SHARP CORNERS AND EDGES: R 0.50MM MAX

THIS DOCUMENT AND ALL THE INFORMATION CONTAINED HEREIN ARE CONFIDENTIAL AND EXCLUSIVE PROPERTY OF STS RESPONSE HANDLING EQUIPMENT LIMITED. NO REPRODUCTION, DISSEMINATION, OR ANY OTHER USE IS PERMITTED WITHOUT THE WRITTEN AUTHORIZATION OF STS RESPONSE HANDLING EQUIPMENT.  
 THIS DOCUMENT IS ACCEPTED PURSUANT TO AGREEMENT TO THE FOREGOING, AND MUST BE RETURNED OR DESTROYED UPON DEMAND.  
 MANUFACTURER AGREES THAT ARTICLES MADE IN ACCORDANCE WITH THIS DOCUMENT SHALL BE CONSIDERED STS RESPONSE HANDLING EQUIPMENT DESIGN AND THAT ORIGINAL SPECIFICATIONS OR PARTS THEREOF SHALL NOT BE MANUFACTURED FOR THE USE OR SALE BY THE MANUFACTURER OR ANY OTHER PERSON OR ENTITY WITHOUT PRIOR WRITTEN AUTHORIZATION BY STS RESPONSE HANDLING EQUIPMENT.

CATEGORY:	ASSEMBLY
MATERIAL SPEC:	
FINISH:	N/A
DESCRIPTION:	DTP05-R500-SS, DEPALLETISER ASSEMBLY, 500MM RAM, STAINLESS STEEL

SHEET NO:	2 OF 3	DRAWN BY:	JC
		CHECKED BY:	JC
SHEET SIZE:	A3	DATE CHK:	23/01/2019
PART NUMBER:	013804	REVISION:	A