

# DTP08-550lbs-R500-Ex

**SWL - 550lbs**

CLEAN MILD STEEL CONSTRUCTION WITH POWDERCOATED FINISH IN RAL 5010 (BLUE)

MANUAL HYDRAULIC LIFT HAND PUMP AND TANK WITH THROTTLING LOWERING VALVE

ADJUSTABLE CATCH FOR 13-58 GALLON STEEL AND PLASTIC DRUMS

LADDER RACK OFFERS VERTICAL HEIGHT ADJUSTMENT FOR DIFFERENT DRUM SIZES

19 3/4" STROKE HYDRAULIC RAM FITTED WITH BURST VALVE

ALL WHEELS CONTAIN PRECISION SEALED BEARINGS

6 1/4" ANTI-STATIC WHEELS

2 X 4" OUTRIGGER ANTI-STATIC CASTORS FOR STABILITY

STAINLESS STEEL TILLER HANDLE WITH SPRING RETURN


CLEAR ANTI-STATIC POLYCARBONATE GUARDING

FITTED WITH EARTHING CHAINS

BRAKED SINGLE WHEEL REAR STEERING WITH PRECISION BEARINGS FOR MAXIMUM MANOEUVRABILITY

THIRD ANGLE PROJECTION

ALL DIMENSIONS IN mm U.O.S  
DO NOT SCALE



**RESPICE HANDLING EQUIPMENT LTD**  
LEEDSTOWN, CORNWALL, TR27 6DS  
TEL: +44 1736 85 10 50 FAX: +44 1736 85 10 23  
E-MAIL: SALES@STS-TROLLEYS.CO.UK  
WWW: HTTPS://WWW.STS-TROLLEYS.CO.UK

CUSTOMER APPROVAL:

NAME: .....

SIGNATURE: .....

DATE: .....

THIS DOCUMENT AND ALL THE INFORMATION CONTAINED HEREIN ARE CONFIDENTIAL AND EXCLUSIVE PROPERTY OF ITS RESPICE HANDLING EQUIPMENT AND MAY NOT BE REPRODUCED, USED, DISCLOSED OR MADE PUBLIC IN ANY MANNER WITHOUT WRITTEN AUTHORIZATION BY ITS RESPICE HANDLING EQUIPMENT. THIS DOCUMENT IS ACCEPTED PURSUANT TO AGREEMENT TO THE FOREGOING, AND MADE BE RETURNED OR DESTROYED UPON DEMAND.

MANUFACTURER AGREES THAT ARTICLES MADE IN ACCORDANCE WITH THIS DOCUMENT SHALL BE CONSIDERED ITS RESPICE HANDLING EQUIPMENT DESIGN AND THAT INDIVIDUAL ARTICLES OR PARTS THEREOF SHALL NOT BE MANUFACTURED FOR THE USE OR SALE BY THE MANUFACTURER OR ANY OTHER PERSON OR ENTITY WITHOUT PRIOR WRITTEN AUTHORIZATION BY ITS RESPICE HANDLING EQUIPMENT.

CATEGORY: ASSEMBLY

MATERIAL SPEC:

FINISH: N/A

DESCRIPTION: DTP08 DEPALLETISER, 19 3/4" STROKE, 550lbs SWL, ATEX, DTP08-550lbs-R500-EX

SHEET NO: 1 OF 4

CHECKED BY: JS

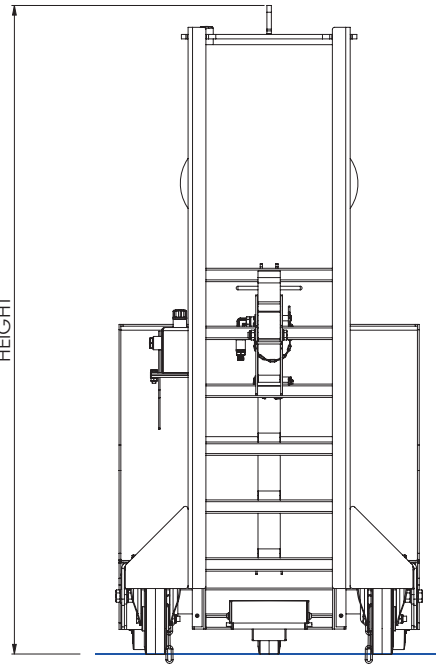
SHEET SIZE: A3

DATE CHK: 18/02/2020

REVISION: A

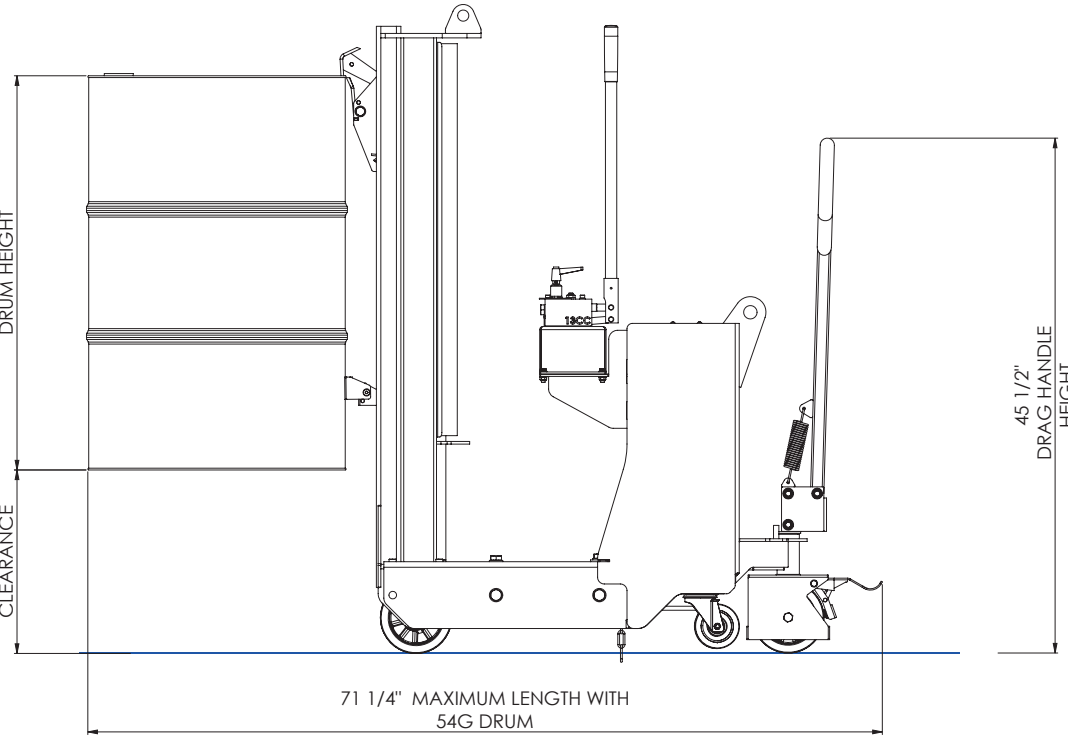
PART NUMBER: 016383

58" MAXIMUM HEIGHT



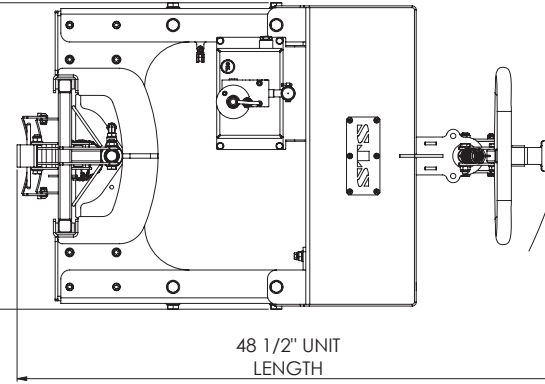
14 1/2" CLEARANCE

34 3/4" DRUM HEIGHT



71 1/4" MAXIMUM LENGTH WITH 54G DRUM

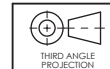
27 1/2" UNIT WIDTH



48 1/2" UNIT LENGTH

R44" TURNING RADIUS

45 1/2" DRAG HANDLE HEIGHT



ALL DIMENSIONS IN mm U.O.S  
DO NOT SCALE



RESPICE HANDLING EQUIPMENT LTD  
LEEDSTOWN, CORNWALL, TQ27 6DS  
TEL: +44 1736 85 10 50 FAX: +44 1736 85 10 23  
E-MAIL: SALES@STS-TROLLEYS.CO.UK  
WWW: HTTPS://WWW.STS-TROLLEYS.CO.UK

CUSTOMER APPROVAL:  
NAME: .....  
SIGNATURE: .....  
DATE: .....

THIS DOCUMENT AND ALL THE INFORMATION CONTAINED HEREIN ARE CONFIDENTIAL AND EXCLUSIVE PROPERTY OF STS RESPICE HANDLING EQUIPMENT AND MAY NOT BE REPRODUCED, USED, DISCLOSED OR MADE PUBLIC IN ANY MANNER PRIOR TO EXPRESS WRITTEN AUTHORIZATION BY STS RESPICE HANDLING EQUIPMENT. MANUFACTURER AGREES THAT ARTICLES MADE IN ACCORDANCE WITH THIS DOCUMENT SHALL BE CONSIDERED STS RESPICE HANDLING EQUIPMENT DESIGN AND THAT ORIGINAL ARTICLES OR PARTS THEREOF SHALL NOT BE MANUFACTURED FOR THE USE OR SALE BY THE MANUFACTURER OR ANY OTHER PERSON OR ENTITY WITHOUT PRIOR EXPRESS WRITTEN AUTHORIZATION BY STS RESPICE HANDLING EQUIPMENT.

CATEGORY: ASSEMBLY  
MATERIAL SPEC:  
FINISH: N/A

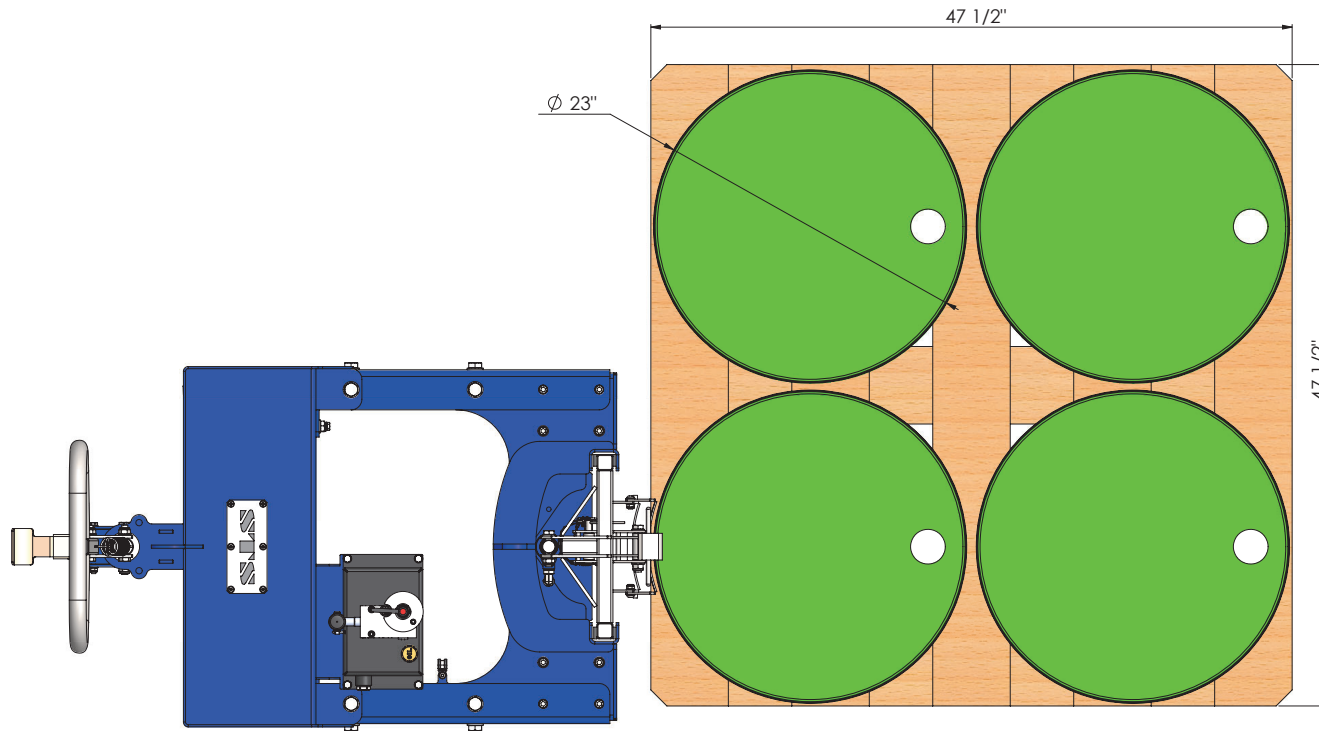
DESCRIPTION: DTP08 DEPALLETISER, 19 3/4" STROKE, 550lbs SWL, ATEX, DTP08-550lbs-R500-EX

SHEET NO: 2 OF 4  
SHEET SIZE: A3

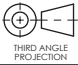

PART NUMBER: 016383

DRAWN BY: JS  
CHECKED BY: JS  
DATE CHK: 18/02/2020

REVISION: A



USING THE DEPALLETISER FOR UNLOADING/LOADING A 47 1/2" X 47 1/2" PALLET

 THIRD ANGLE PROJECTION	ALL DIMENSIONS IN mm U.O.S	CUSTOMER APPROVAL: NAME: ..... SIGNATURE: ..... DATE: .....	CATEGORY: ASSEMBLY	SHEET NO: 3 OF 4	DRAWN BY: JS
	DO NOT SCALE	THIS DOCUMENT AND ALL THE INFORMATION CONTAINED HEREIN ARE CONFIDENTIAL AND EXCLUSIVE PROPERTY OF STS RESPICE HANDLING EQUIPMENT LTD. ANY REPRODUCTION, DISTRIBUTION OR USE OF THIS DOCUMENT WITHOUT THE WRITTEN AUTHORIZATION OF STS RESPICE HANDLING EQUIPMENT LTD. IS STRICTLY PROHIBITED.	MATERIAL SPEC:	SHEET SIZE: A3	CHECKED BY: JS
 <b>STS</b> RESPICE HANDLING EQUIPMENT LTD LEEDSTOWN, CORNWALL, TQ27 6DS TEL: +44 1736 85 10 50 FAX: +44 1736 85 10 23 E-MAIL: SALES@STS-TROLLEYS.CO.UK WWW: HTTPS://WWW.STS-TROLLEYS.CO.UK	MANUFACTURER AGREES THAT ARTICLES MADE IN ACCORDANCE WITH THIS DOCUMENT SHALL BE CONSIDERED STS RESPICE HANDLING EQUIPMENT DESIGN AND THAT ORIGINAL ARTICLES OR PARTS THEREOF SHALL NOT BE MANUFACTURED FOR THE USE OR SALE BY THE MANUFACTURER OR ANY OTHER PERSON OR ENTITY WITHOUT PRIOR WRITTEN AUTHORIZATION BY STS RESPICE HANDLING EQUIPMENT LTD.	FINISH: N/A	DESCRIPTION: DTP08 DEPALLETISER, 500 STROKE, 550lbs SWL, ATEX, DTP08-550lbs-R500-EX	DATE CHK: 18/02/2020	REVISION: A
			PART NUMBER: 016383		