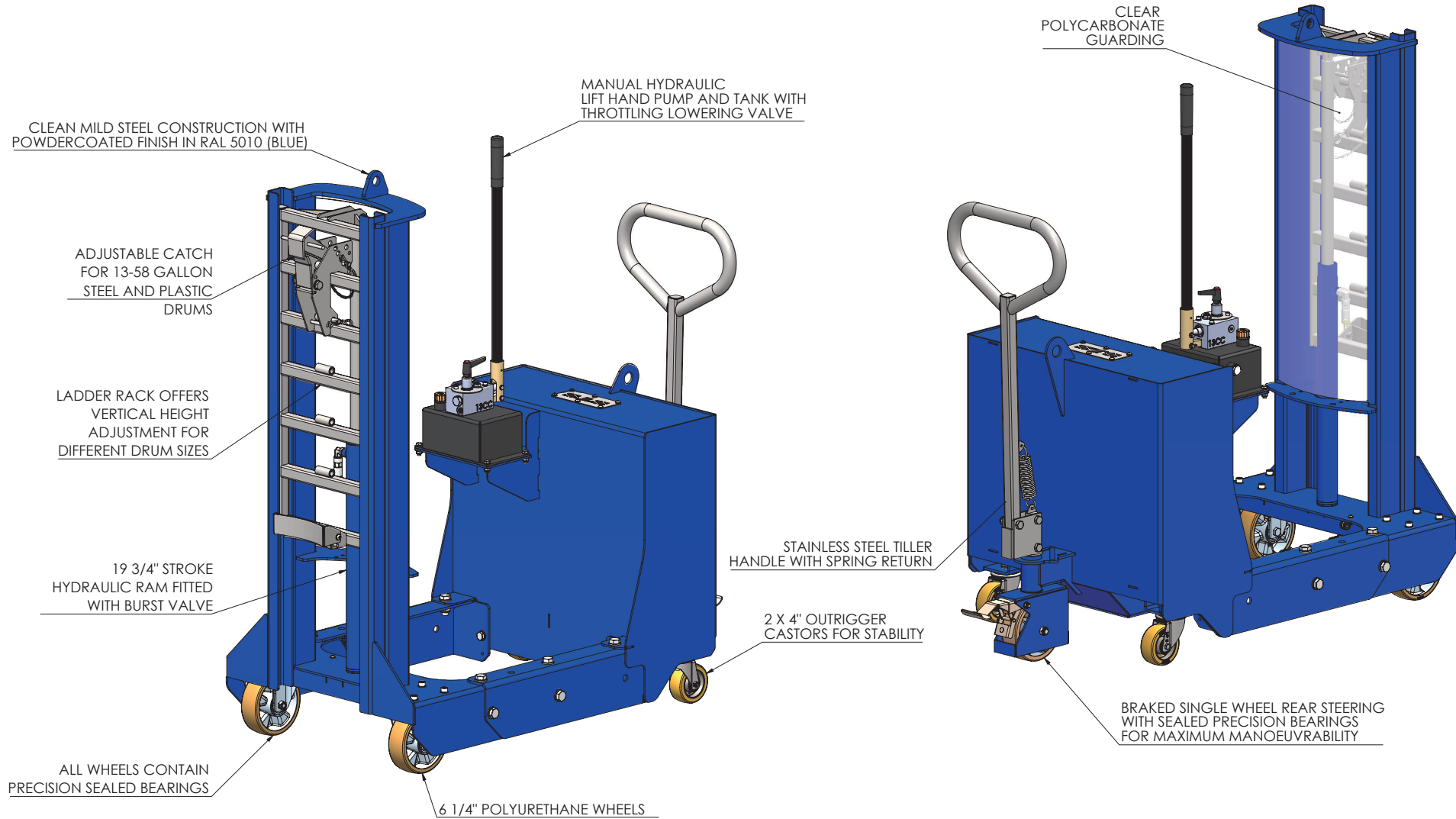


# DTP08-770lbs-R500

**SWL - 770lbs**




 ALL DIMENSIONS IN mm U.O.S  
 DO NOT SCALE


**STS**  
 RESPICK HANDLING EQUIPMENT LTD  
 LEEDSTOWN, CORNWALL, TR27 6DS  
 TEL: +44 1736 85 10 50 FAX: +44 1736 85 10 23  
 E-MAIL: SALES@STS-TROLLEYS.CO.UK  
 WWW: HTTPS://WWW.STS-TROLLEYS.CO.UK

CUSTOMER APPROVAL:

NAME: .....  
 SIGNATURE: .....  
 DATE: .....

THIS DOCUMENT AND ALL THE INFORMATION CONTAINED HEREIN ARE CONFIDENTIAL AND EXCLUSIVE PROPERTY OF STS RESPICK HANDLING EQUIPMENT AND MAY NOT BE REPRODUCED, USED, DISCLOSED OR MADE PUBLIC IN ANY MANNER WITHOUT THE WRITTEN AUTHORIZATION BY STS RESPICK HANDLING EQUIPMENT. THIS DOCUMENT IS ACCEPTED PURSUANT TO AGREEMENT TO THE FOREGOING, AND MADE BE RETURNED OR DESTROYED UPON DEMAND.  
 MANUFACTURER AGREES THAT ARTICLES MADE IN ACCORDANCE WITH THIS DOCUMENT SHALL BE CONSIDERED STS RESPICK HANDLING EQUIPMENT DESIGN AND THAT INDIVIDUAL ARTICLES OR PARTS THEREOF SHALL NOT BE MANUFACTURED FOR THE USE OR SALE BY THE MANUFACTURER OR ANY OTHER PERSON OR ENTITY WITHOUT PRIOR WRITTEN AUTHORIZATION BY STS RESPICK HANDLING EQUIPMENT.

CATEGORY: ASSEMBLY

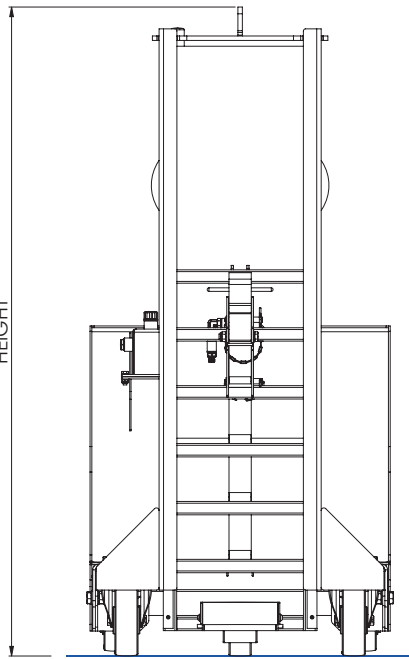
MATERIAL SPEC:

FINISH: N/A

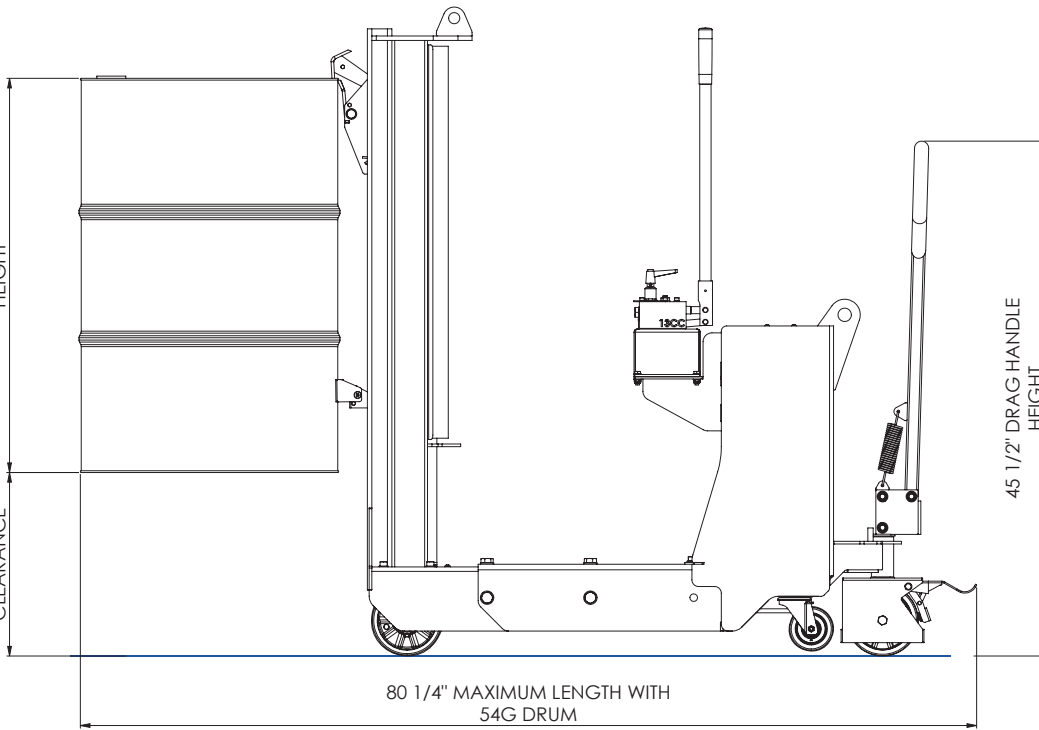
DESCRIPTION: DTP08 DEPALLETISER, 19 3/4" STROKE, 770LBS SWL, DTP08-770LBS -R500

SHEET NO: 1 OF 4	DRAWN BY: JS
	CHECKED BY: JS
SHEET SIZE: A3	DATE CHK: 13/02/2020
PART NUMBER: 005994	REVISION: C

58" MAXIMUM HEIGHT

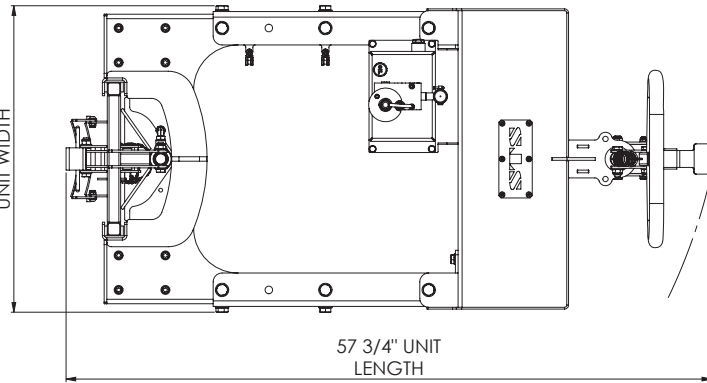


34 4/4" DRUM HEIGHT  
14 1/2" CLEARANCE



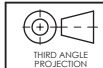
80 1/4" MAXIMUM LENGTH WITH 54G DRUM

27 1/2" UNIT WIDTH



57 3/4" UNIT LENGTH

R 53 1/4" TURNING RADIUS



ALL DIMENSIONS IN mm U.O.S  
DO NOT SCALE



RESPICE HANDLING EQUIPMENT LTD  
LEEDSTOWN, CORNWALL, TQ27 6DS  
TEL: +44 1736 85 10 50 FAX: +44 1736 85 10 23  
E-MAIL: SALES@STS-TROLLEYS.CO.UK  
WWW: HTTPS://WWW.STS-TROLLEYS.CO.UK

CUSTOMER APPROVAL:  
NAME: .....  
SIGNATURE: .....  
DATE: .....

THIS DOCUMENT AND ALL THE INFORMATION CONTAINED HEREIN ARE CONFIDENTIAL AND EXCLUSIVE PROPERTY OF STS RESPICE HANDLING EQUIPMENT AND MAY NOT BE REPRODUCED, USED, DISCLOSED OR MADE PUBLIC IN ANY MANNER WITHOUT THE WRITTEN AUTHORIZATION BY STS RESPICE HANDLING EQUIPMENT. THIS DOCUMENT IS ACCEPTED PURSUANT TO AGREEMENT TO THE FOREGOING, AND SHALL BE RETURNED OR DESTROYED UPON DEMAND.  
MANUFACTURER AGREES THAT ARTICLES MADE IN ACCORDANCE WITH THIS DOCUMENT SHALL BE CONSIDERED STS RESPICE HANDLING EQUIPMENT DESIGN AND THAT ORIGINAL ARTICLES OR PARTS THEREOF SHALL NOT BE MANUFACTURED FOR THE USE OR SALE BY THE MANUFACTURER OR ANY OTHER PERSON OR ENTITY WITHOUT PRIOR WRITTEN AUTHORIZATION BY STS RESPICE HANDLING EQUIPMENT.

CATEGORY: ASSEMBLY  
MATERIAL SPEC:  
FINISH: N/A

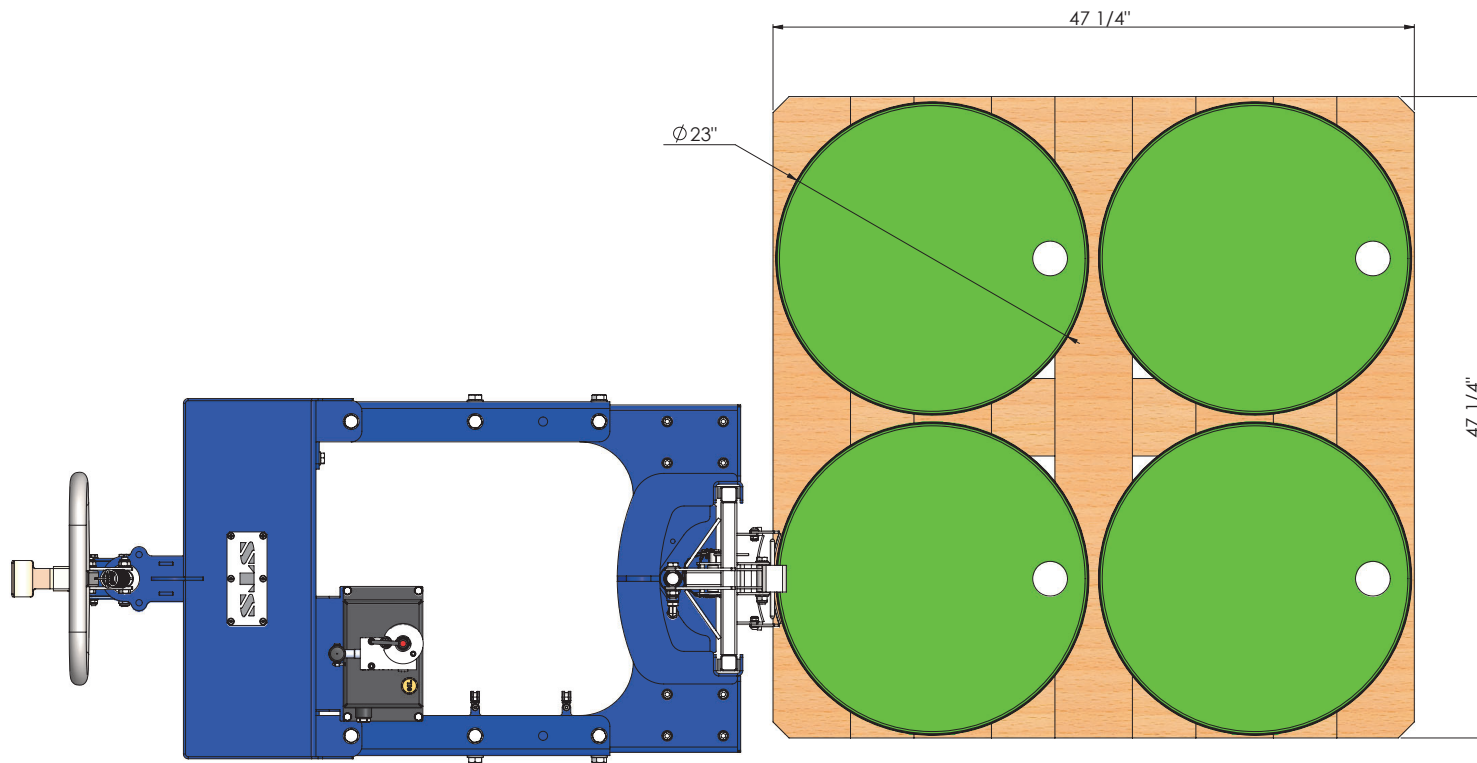
DESCRIPTION: DTP08 DEPALLETISER, 19 3/4" STROKE, 770LBS SWL, DTP08-770LBS -R500

SHEET NO: 2 OF 4  
SHEET SIZE: A3

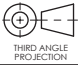

PART NUMBER: 005994

DRAWN BY: JS  
CHECKED BY: JS  
DATE CHK: 13/02/2020

REVISION: C



USING THE DEPALLETISER FOR UNLOADING/LOADING A 47 1/4" X 47 1/4" PALLET

 THIRD ANGLE PROJECTION	ALL DIMENSIONS IN mm U.O.S	CUSTOMER APPROVAL:	CATEGORY: ASSEMBLY	SHEET NO: 3 OF 4	DRAWN BY: JS
	DO NOT SCALE	NAME: .....	MATERIAL SPEC:		CHECKED BY: JS
 <b>STS</b> RESPONCE HANDLING EQUIPMENT LTD LEEDSTOWN, CORNWALL, TR27 6DS TEL: +44 1736 85 10 50 FAX: +44 1736 85 10 23 E-MAIL: SALES@STS-TROLLEYS.CO.UK WWW: HTTPS://WWW.STS-TROLLEYS.CO.UK	SIGNATURE: .....	DATE: .....	FINISH: N/A	SHEET SIZE: A3	DATE CHK: 13/02/2020
	<small>THIS DOCUMENT AND ALL THE INFORMATION CONTAINED HEREIN ARE CONFIDENTIAL AND EXCLUSIVE PROPERTY OF STS RESPONCE HANDLING EQUIPMENT AND MAY NOT BE REPRODUCED, USED, DISCLOSED OR MADE PUBLIC IN ANY MANNER PRIOR TO EXPRESS WRITTEN AUTHORIZATION BY STS RESPONCE HANDLING EQUIPMENT. THIS DOCUMENT IS ACCEPTED PURSUANT TO AGREEMENT TO THE FOREGOING, AND MUST BE RETURNED OR DESTROYED UPON DEMAND.</small>		DESCRIPTION: DTP08 DEPALLETISER, 19 3/4" STROKE, 770LBS SWL, DTP08-770LBS -R500	PART NUMBER: 005994	REVISION: C
	<small>MANUFACTURER AGREES THAT ARTICLES MADE IN ACCORDANCE WITH THIS DOCUMENT SHALL BE CONSIDERED STS RESPONCE HANDLING EQUIPMENT DESIGN AND THAT ORIGINAL ARTICLES OR PARTS THEREOF SHALL NOT BE MANUFACTURED FOR THE USE OR SALE BY THE MANUFACTURER OR ANY OTHER PERSON OR ENTITY WITHOUT PRIOR EXPRESS WRITTEN AUTHORIZATION BY STS RESPONCE HANDLING EQUIPMENT.</small>				