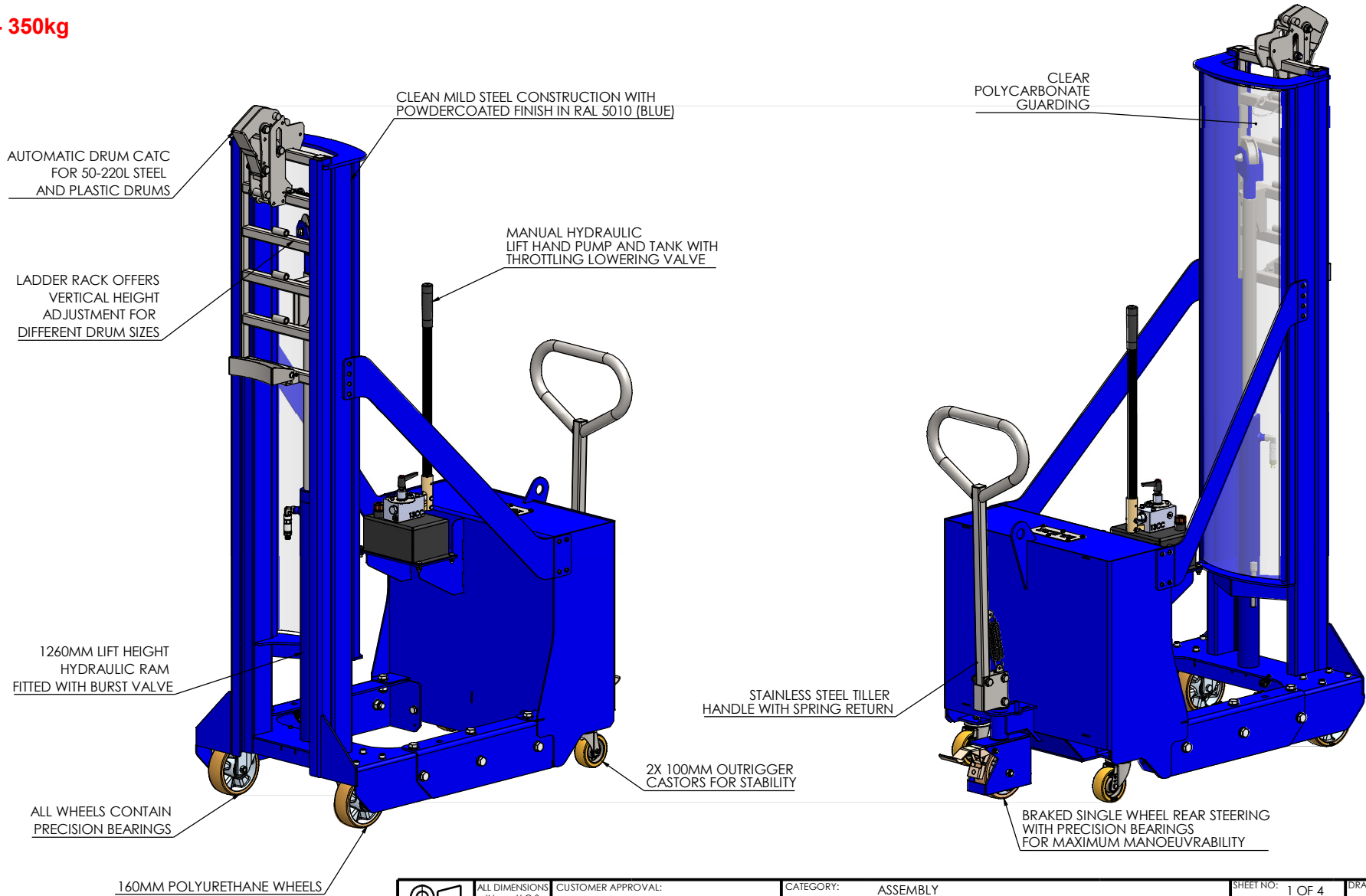




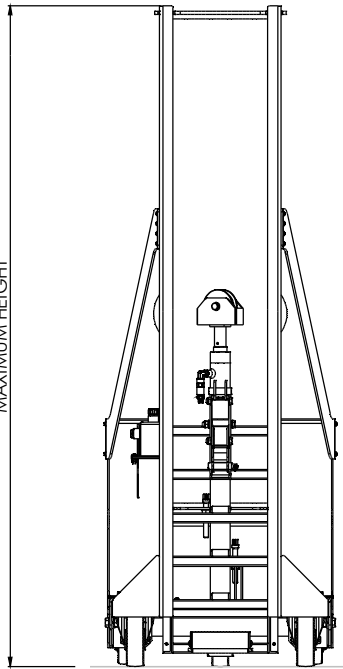
DTP08-350KG-R1260-L

SWL - 350kg

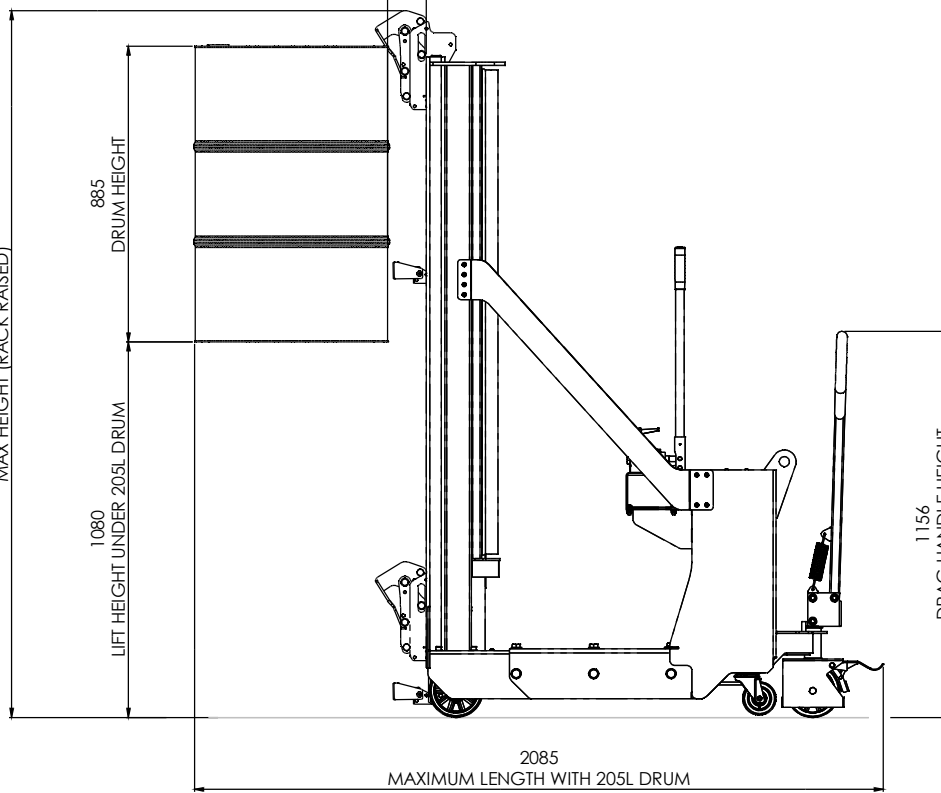


 THIRD ANGLE PROJECTION  RESPONSE HANDLING EQUIPMENT LTD LEEDSTOWN, CORNWALL TR27 6DS TEL: +44 1738 85 10 50 FAX: +44 1738 85 10 23 E-MAIL: SALES@STS-TROLLEYS.CO.UK WWW: HTTP://WWW.STS-TROLLEYS.CO.UK	ALL DIMENSIONS IN mm U.O.S. DO NOT SCALE	CUSTOMER APPROVAL: NAME: SIGNATURE: DATE:	CATEGORY: ASSEMBLY MATERIAL SPEC: FINISH: N/A DESCRIPTION: DTP08-350KG-R1260-L, COUNTERBALANCED DEPALLETISER, 1260 STROKE, 350KG SWL	SHEET NO: 1 OF 4 EST MASS: 428.58kg SHEET SIZE: A3 PART NUMBER: 018943	DRAWN BY: JS CHECKED BY: JC DATE CHK: 23/08/2021 REVISION: A
	<small>THIS DOCUMENT AND ALL THE INFORMATION CONTAINED HEREIN ARE CONFIDENTIAL AND EXCLUSIVE PROPERTY OF STS RESPONSE HANDLING EQUIPMENT AND MAY NOT BE REPRODUCED, COPIED, DISCLOSED OR ANY PUBLIC IN ANY MANNER WITHOUT THE WRITTEN PERMISSION OF STS RESPONSE HANDLING EQUIPMENT. ALL DIMENSIONS ARE TO UNLESS OTHERWISE SPECIFIED IN THIS DOCUMENT AND MUST BE WITHIN THE TOLERANCES SPECIFIED IN THE DRAWINGS. STS RESPONSE HANDLING EQUIPMENT LTD ACCEPTS NO LIABILITY FOR ANY DAMAGE OR LOSS OF PROFITS OR BUSINESS ARISING FROM THE USE OF THIS DOCUMENT OR ANY INFORMATION CONTAINED HEREIN. THE INFORMATION CONTAINED HEREIN IS FOR INFORMATION ONLY AND DOES NOT CONSTITUTE AN OFFER OR A CONTRACT. THE INFORMATION CONTAINED HEREIN IS FOR INFORMATION ONLY AND DOES NOT CONSTITUTE AN OFFER OR A CONTRACT.</small>			REVISION: 01 AUTHOR: JC AUTHORISED BY:	PRINTED ON: 01/09/2021

1980
MAXIMUM HEIGHT



2220
MAX HEIGHT (RACK RAISED)



1080
LIFT HEIGHT UNDER 205L DRUM

885
DRUM HEIGHT

30
REACH

2085
MAXIMUM LENGTH WITH 205L DRUM

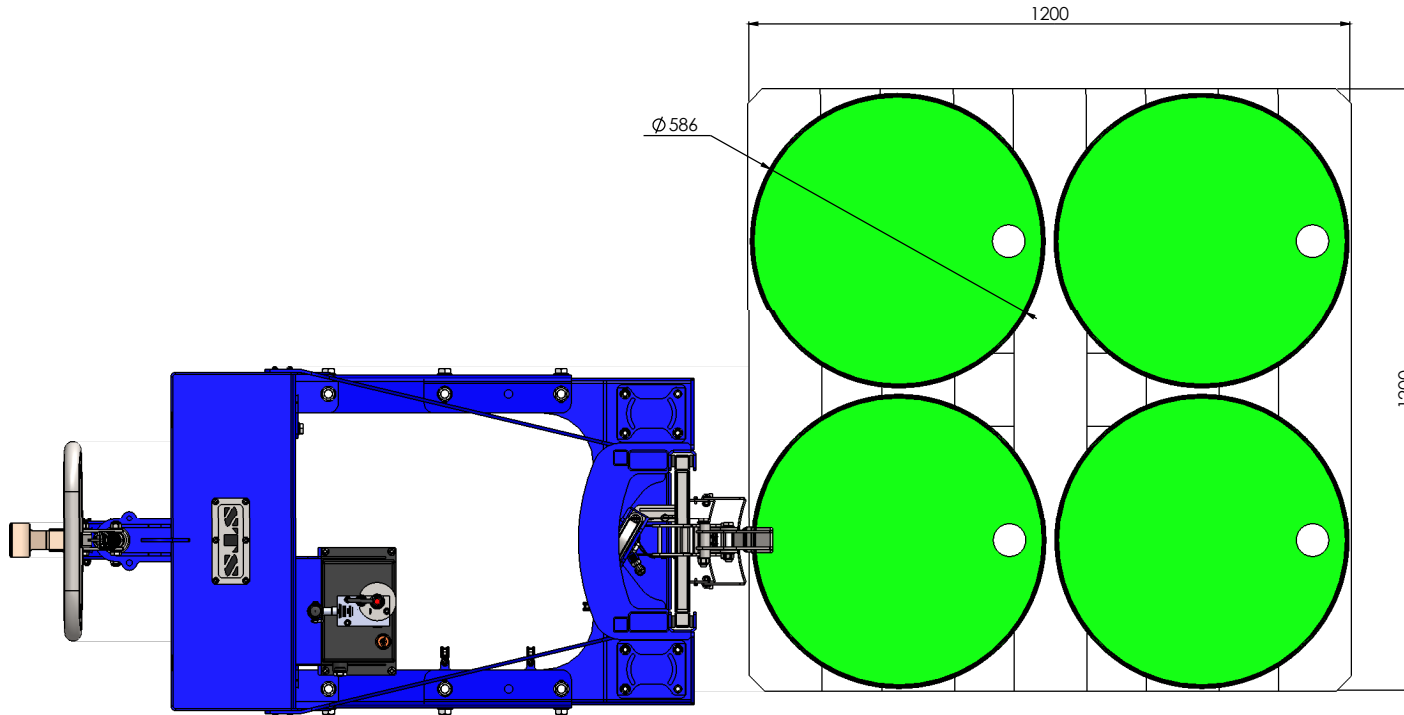
1156
DRAG HANDLE HEIGHT

700
UNIT WIDTH



1550
UNIT LENGTH

R1300
TURNING RADIUS

<p>THIRD ANGLE PROJECTION</p>	<p>ALL DIMENSIONS IN mm U.O.S</p>	<p>CUSTOMER APPROVAL:</p> <p>NAME:</p> <p>SIGNATURE:</p> <p>DATE:</p>	<p>CATEGORY: ASSEMBLY</p>	<p>SHEET NO: 2 OF 4</p>	<p>DRAWN BY: JS</p>	
	<p>DO NOT SCALE</p>		<p>MATERIAL SPEC:</p>	<p>EST MASS: 428.58kg</p>	<p>CHECKED BY: JC</p>	
<p>RESPONSE HANDLING EQUIPMENT LTD LEEDSTOWN, CORNWALL TR27 6DS TEL: +44 1738 85 10 50 FAX: +44 1738 85 10 23 E-MAIL: SALES@STS-TROLLEYS.CO.UK WWW: HTTPS://WWW.STS-TROLLEYS.CO.UK</p>	<p><small>THIS DOCUMENT AND ALL THE INFORMATION CONTAINED HEREIN ARE CONFIDENTIAL AND EXCLUSIVE PROPERTY OF RESPONSE HANDLING EQUIPMENT LTD AND MAY NOT BE REPRODUCED, USED, DISCLOSED OR MADE PUBLIC IN ANY MANNER WITHOUT THE WRITTEN PERMISSION OF RESPONSE HANDLING EQUIPMENT LTD.</small></p> <p><small>RESPONSE HANDLING EQUIPMENT LTD ACCEPTS NO LIABILITY FOR ANY DAMAGE OR LOSS OF ANY KIND ARISING FROM THE USE OF THIS DOCUMENT OR THE EQUIPMENT DESCRIBED HEREIN.</small></p>			<p>FINISH: N/A</p>	<p>SHEET SIZE: A3</p>	<p>DATE CHK: 23/08/2021</p>
	<p><small>RESPONSE HANDLING EQUIPMENT LTD ACCEPTS NO LIABILITY FOR ANY DAMAGE OR LOSS OF ANY KIND ARISING FROM THE USE OF THIS DOCUMENT OR THE EQUIPMENT DESCRIBED HEREIN.</small></p>			<p>DESCRIPTION: DTP08-350KG-R1260-L, COUNTERBALANCED DEPALLETISER, 1260 STROKE, 350KG SWL</p>	<p>PART NUMBER: 018943</p>	<p>REVISION: A</p>



USING THE DEPALLETISER FOR UNLOADING/LOADING A 1200MM X 1200MM PALLET

 THIRD ANGLE PROJECTION	ALL DIMENSIONS IN mm U.O.S DO NOT SCALE	CUSTOMER APPROVAL: NAME: SIGNATURE: DATE:	CATEGORY: ASSEMBLY MATERIAL SPEC: FINISH: N/A	SHEET NO: 3 OF 4 EST MASS: 428.58kg SHEET SIZE: A3	DRAWN BY: JS CHECKED BY: JC DATE CHK: 23/08/2021
	 RESPICE HANDLING EQUIPMENT LTD LEEDSTOWN, CORNWALL TR27 6DS TEL: +44 1738 85 10 30 FAX: +44 1738 85 10 23 E-MAIL: SALES@STS-TROLLEYS.CO.UK WWW: HTTP://WWW.STS-TROLLEYS.CO.UK	<small> THIS DOCUMENT AND ALL THE INFORMATION CONTAINED HEREIN ARE CONFIDENTIAL AND EXCLUSIVE PROPERTY OF RESPICE HANDLING EQUIPMENT AND MAY NOT BE REPRODUCED, USED, DISCLOSED OR MADE PUBLIC IN ANY MANNER WITHOUT THE WRITTEN AUTHORIZATION BY RESPICE HANDLING EQUIPMENT. RESPONSES TO THIS DOCUMENT ARE TO BE PROVIDED TO THE CONCERNED PARTY BY RETURNED OR BY OTHER MEANS. MANUFACTURER AGREES THAT ARTICLES MADE IN ACCORDANCE WITH THIS DOCUMENT SHALL BE CONSIDERED AS RESPICE HANDLING EQUIPMENT'S PROPERTY AND THAT SERVICE, REPAIRS OR PARTS THEREOF SHALL NOT BE MANUFACTURED FOR THE USE OR SALE BY THE MANUFACTURER OR ANY OTHER PERSON OR ENTITY WITHOUT PRIOR EXPRESS WRITTEN AUTHORIZATION BY RESPICE HANDLING EQUIPMENT. </small>	DESCRIPTION: DTP08-350KG-R1260-L, COUNTERBALANCED DEPALLETISER, 1260 STROKE, 350KG SWL	PART NUMBER: 018943	REVISION: A